



MINGDA

**Not a printer, It is a life style,
Auto Leveling,
Extra-large size
for thought running wild**

400*400*400mm



Innovator of Auto-Leveling

Say goodbye to manual leveling, the intelligent leveling system can automatically adjust the uneven hotbed. High-sensitivity sensor, one-touch leveling and 36-point precise leveling.



Ready to Print

Integrated structure and modular design, one step assembly and ready to print.

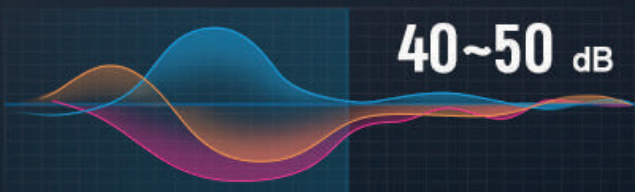


Ultra-Silent Printing

Ultra-quiet mechanical structure & Self-developed Mother Board with TMC, you will not hearing any noise with printing, enjoy a happy printing time.

After noise reduction

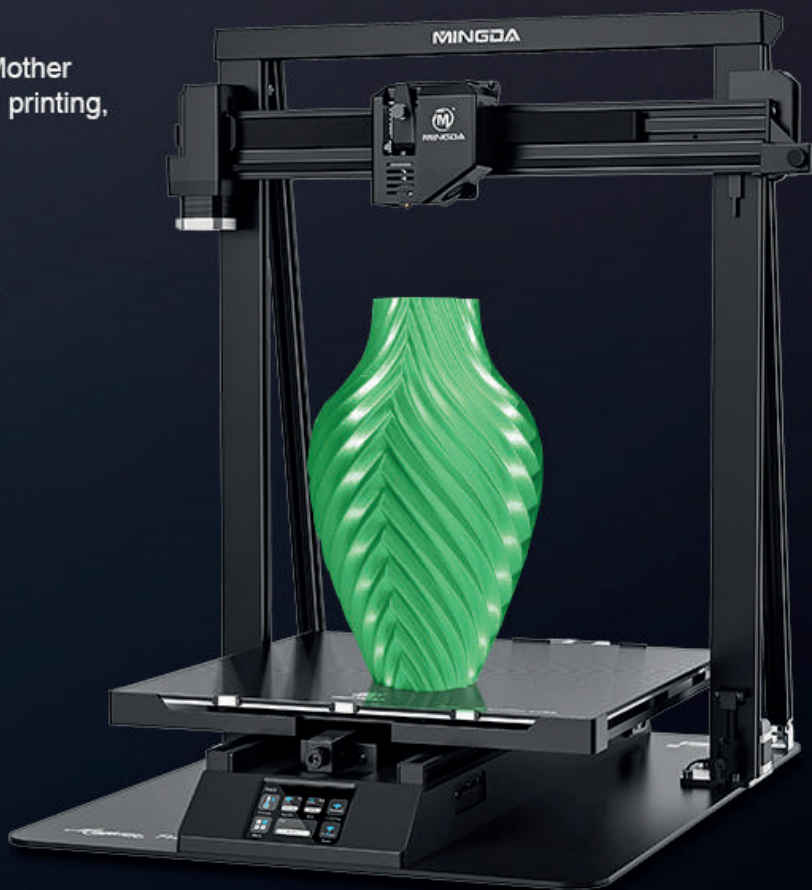
40~50 dB



TMC Chips Silent Drivers

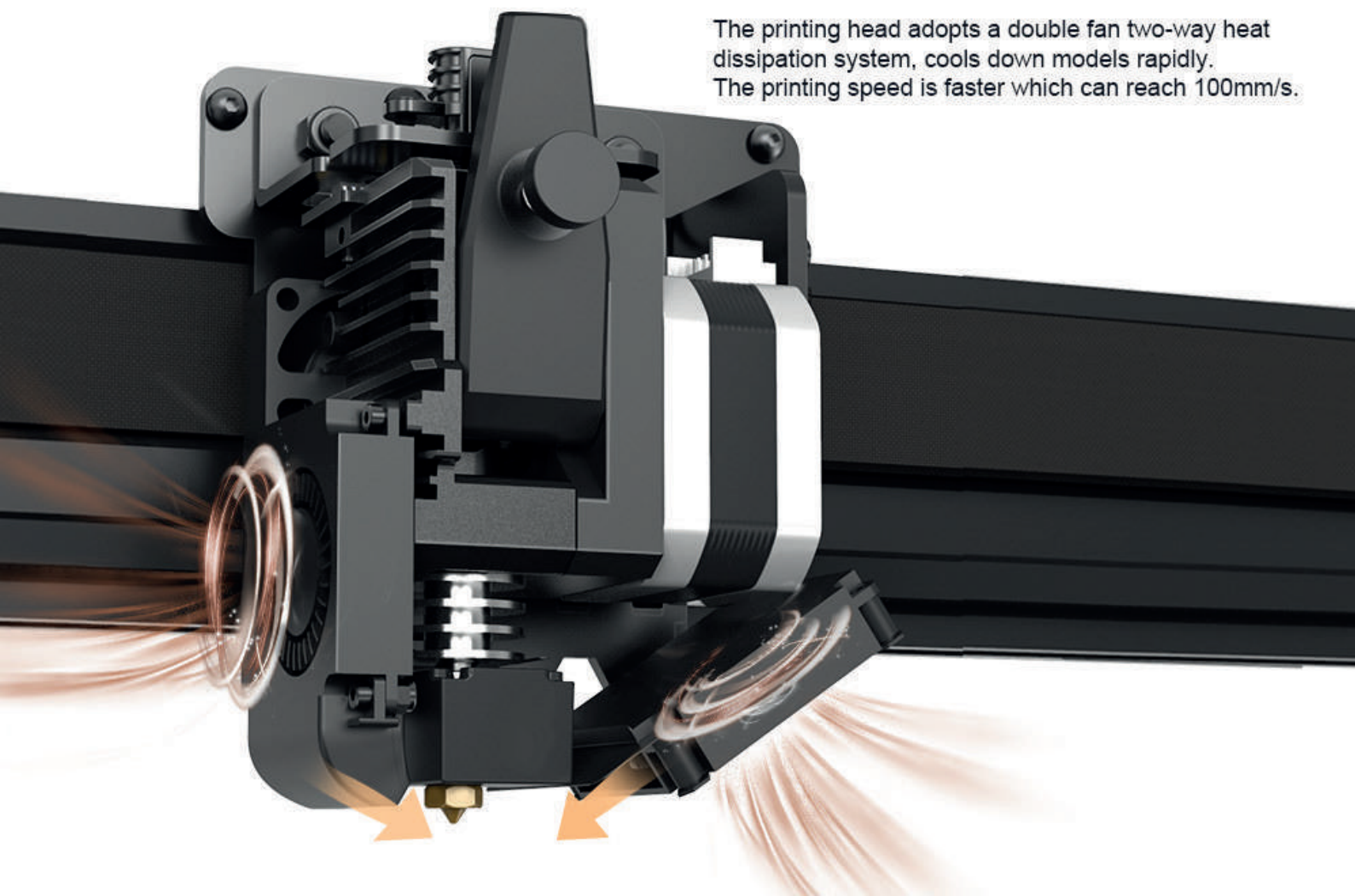


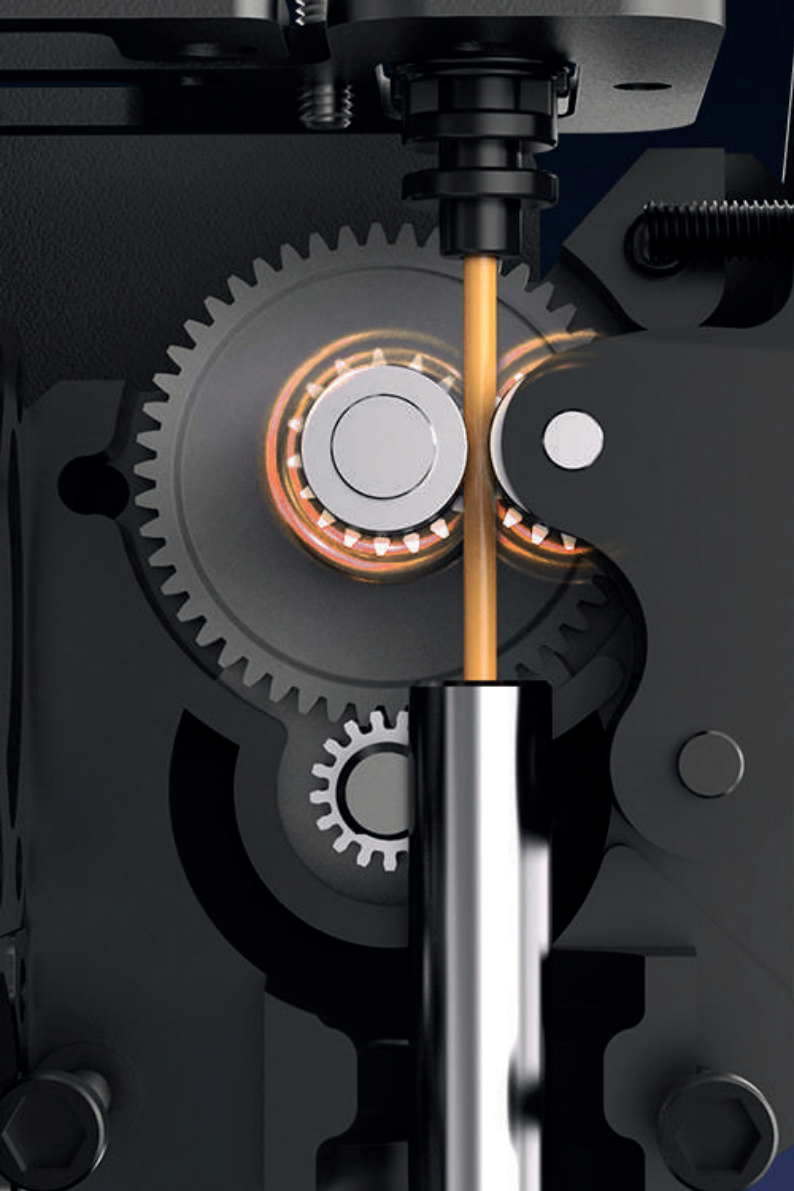
Ultra-Silent



Dual Cooling Fans

The printing head adopts a double fan two-way heat dissipation system, cools down models rapidly. The printing speed is faster which can reach 100mm/s.





Double Gears Direct Extrusion

Conveying material uniformity without winding.

Glass Heat Bed

4th gen glass heat bed with cold glue installation,
easy to carry and is scratch proof.



18W LCD

Caution! High temperature! 当心高温

Patented Dual Z-Axis with Synchronous Belt

Ensure the accuracy of the print head in the X-axis direction.



Large Printing Size

400(L)*400(W)*400(H)mm

The printer can meet your endless creative needs.



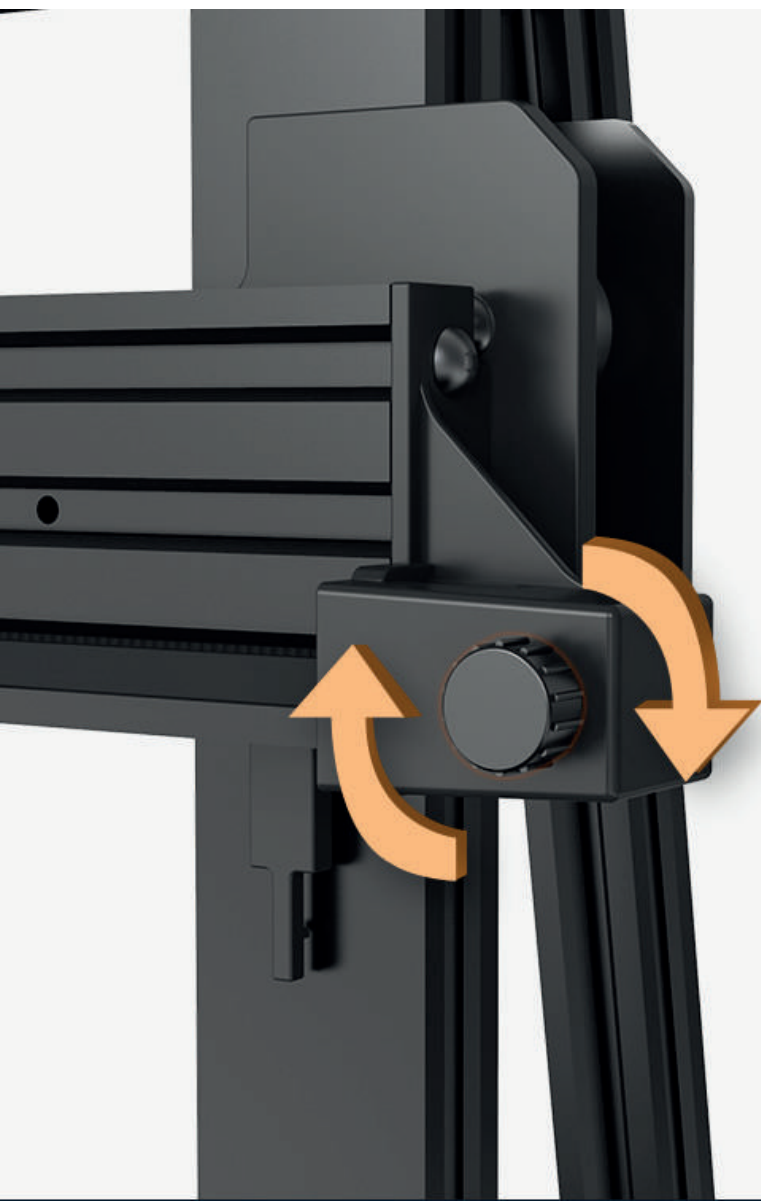
Built-in Filament Detector and Resume Printing



Automatic
Filament Detection



Resume
Printing Function

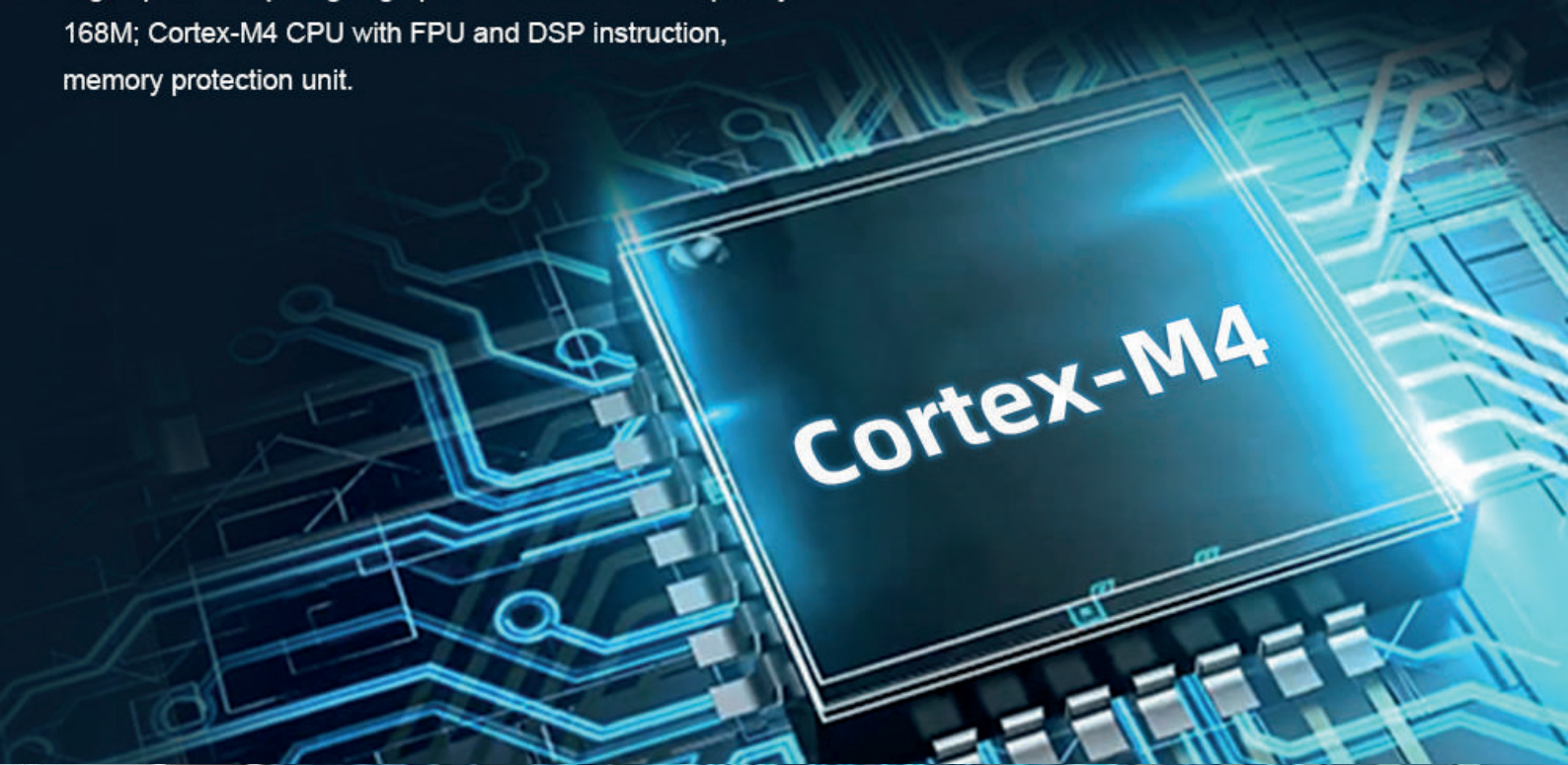


Belt Tensioner on X/Y Axis

Adjust the belt tightness to avoid long-term use of the printer, the belt is loose.

Powerful Chip with High Performance and Efficiency

High-speed computing; high-performance, 32-bit frequency: 168M; Cortex-M4 CPU with FPU and DSP instruction, memory protection unit.



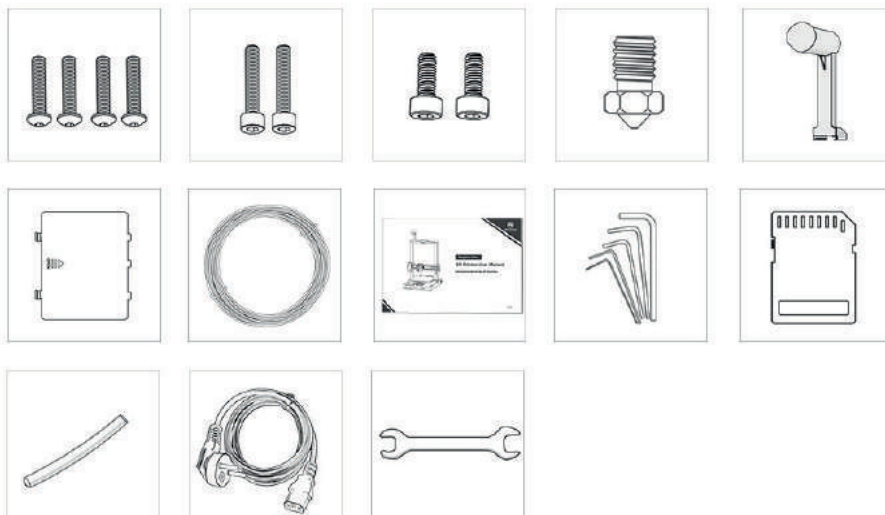
3.5" Large Touch Screen

The screen adopts a new UI interface, manipulate photos, and switch in multiple languages. New interface; large screen; simple operation.



Multi Connection

Support SD card, USB and USB-C, supports online printing.



Technical Specification

Print size	40×40×40cm
Calibration	Self-developed Automatic Leveling, 36 Points
Filament diameter	1.75 mm
Printing materia	PLA / ABS / PETG & TPU
Nozzle size	0.4mm default, wide range of other nozzles supported
Extuder	Direct Drive, Double Gears
Filament run-out detection	Support
Resume Printing	Support
Tool Box	Yes
Max nozzle temperature	260 °C
Max heatbed temperature	110 °C
Average speed	8-10 cm/s, 3.1-3.9in/s
Control panel	3.5 inch colorful LCD touch screen
Print interface	SD Card, U Disk, USB-C
Z-axis	Double threaded rod with synchronous belt
Machine Weight	14.5kg
Machine Dimension	65x58.6x67.5cm(X×Y×Z)
Power absorption	500W